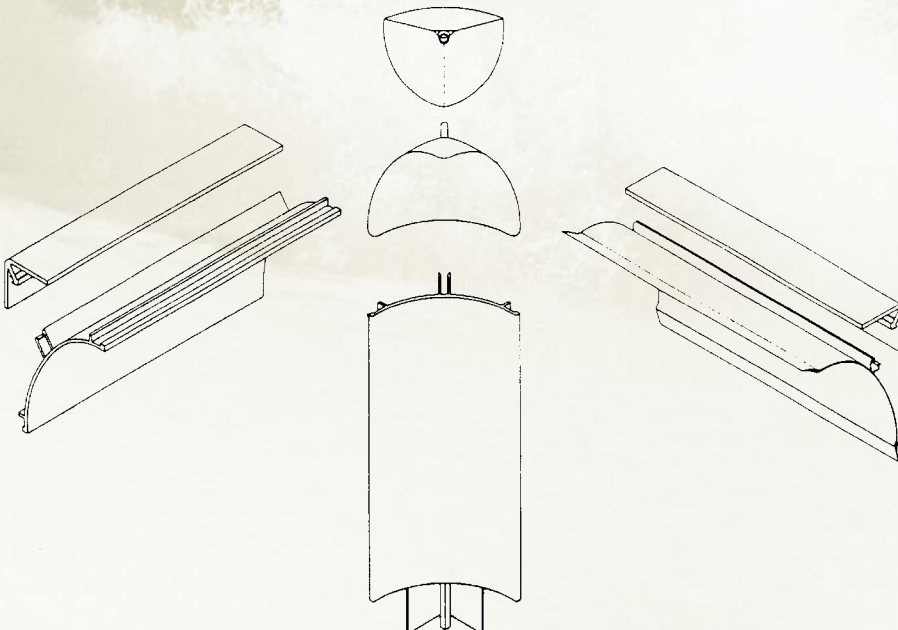


Coving and corner profiles

● LEAD-FREE PVC



STANDARD COLOURS
 white ral 9002 • white ral 9010 • black ral 9005 • blue ral 5010
 green ral 6018 • red ral 3020 • yellow ral 1021



STANDARD SIZES

EX14



EX40



EX11



EX12



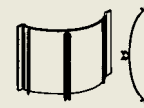
Small - Dual
 No backing necessary!

Coving and corner profiles

LARGE CORNER

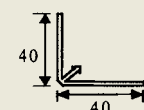
- **EX.14** Large PVC profile for rounded corners complete with soft edges. Offered in 4 metre lengths in boxes of 120 metres (30 lengths).
- **ANGARALU.4** Large aluminium rounded corner without soft lips Offered in 4 metre lengths.
- **EX.11** Medium sized PVC rounded corner profile without soft lips Recommended backing profile: EX53 or EX41 only.
- **EX.28** PVC 40mm x 40mm "L-backing" profile for use with EX. 14. Offered in 4 metre lengths in boxes of 120 metres (30 lengths).
- **HOEKALU.40** Aluminium 40mm x 40mm "L" profile to use with ANGARALU.4 or EX. 14 rounded corner. Offered in 4 metre lengths. **Predrilled** *The EX.41 also fits the EX.14 . Details EX.41: below.*
- **INJ.59** Large Corner cap for the rounded corner profile EX. 14. Offered in boxes of 10 pieces each.
- **INJ.193** Medium Corner cap for the rounded corner profile EX. 1 1. Offered in boxes of 10 pieces each.
- **ANGARRCOQ** Large Corner cap for the rounded corner profile ANGARALU Offered in boxes of 10 pieces each.
- **EX.53** PVC male backing profile 30 x 30 mm to use with EX. 14 Offered in 4 metre lengths in boxes of 120 metres (30 lengths).

PVC or ALUMINIUM



EX.14 • ANGARALU.4 • EX.11

PVC or ALUMINIUM



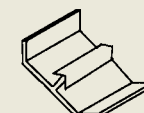
EX.28 • HOEKALU.40

PVC or ALUMINIUM



INJ.59 • INJ.193 • ANGARRCOQ

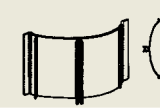
PVC



EX.53

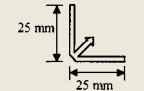
SMALL CORNER

- **EX.40** Small PVC profile for rounded corners complete with soft edges. (Also available without soft edges. See EX. 11) Offered in 4 metre lengths in boxes of 120 metres (30 lengths).
- **EX.41** PVC 25mm x 25mm "L-backing" profile for use with EX.40. Offered in 4 metre lengths in boxes of 120 metres (30 lengths).
- **HOEKALU** Aluminium 25mm x 25mm "L" profile for use with EX.40 rounded corner. Offered in 4 metre lengths.
- **EX.12** Small **DUAL** PVC profile: rounded corners **AND** backing profile complete with soft edges. To be glued to the panel. **100% sure that no dust gets behind the coving !** Offered in 4 metre lengths in boxes of 120 metres (30 lengths).
- **INJ.A229** End Cap for EX. 12 Dual Profile. **INJ.228** Corner Cap for EX. 12
- **EX.42** PVC female corner profile for use with EX.40 Offered in 4 metre lengths in boxes of 120 metres (30 lengths).
- **INJ.192** Small Corner cap for the rounded corner profile EX.40 Offered in boxes of 10 pieces each.
- **INJ.228** Small Corner cap for the dual rounded corner / backing profile EX. 12



EX.40

PVC or ALUMINIUM



EX.41 • HOEKALU



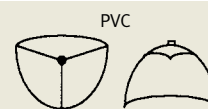
EX.12

INJ.229



EX.42

PVC

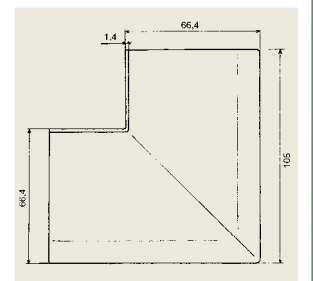
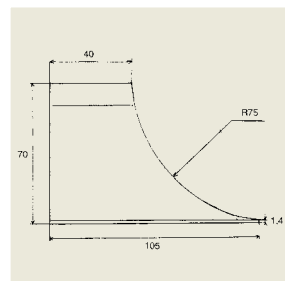


INJ.192 • INJ.228

Coving and corner profiles

OUTSIDE CORNER CAP

- **INJ.297** for the EX.14, big rounded corner profile



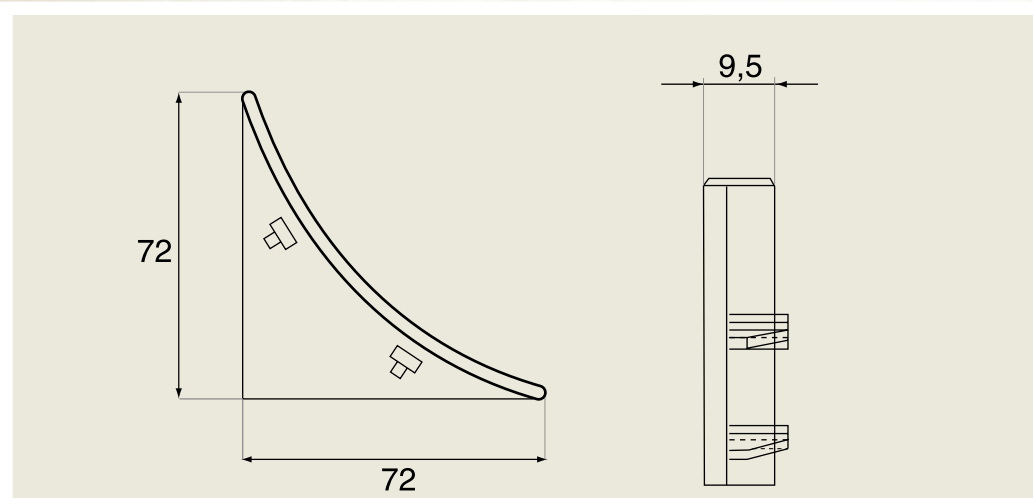
- **INJ.298** for the EX.40, small rounded corner profile

CUTTING AT 45° IS NO LONGER NECESSARY

- provides a perfect corner finishing
- short installation time (less time needed than for cutting profiles exactly at 45°)
- can be used as an outside corner cap when the rounded corner EX.14/EX.40 is used as a plinth
- 100% hygienic and quick solution

END CAP

- **INJ.352A** for the EX.14, big rounded corner profile



- **INJ.352B** for the EX.40, small rounded corner profile