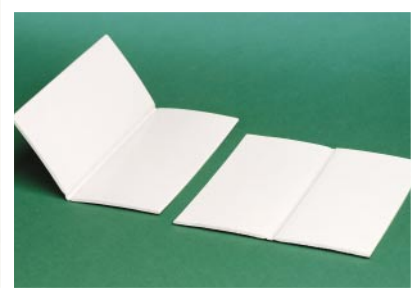
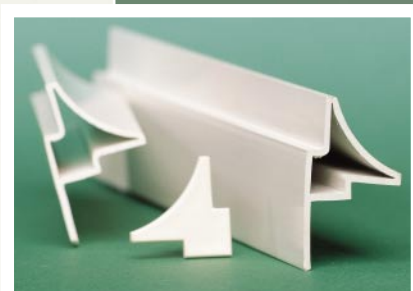
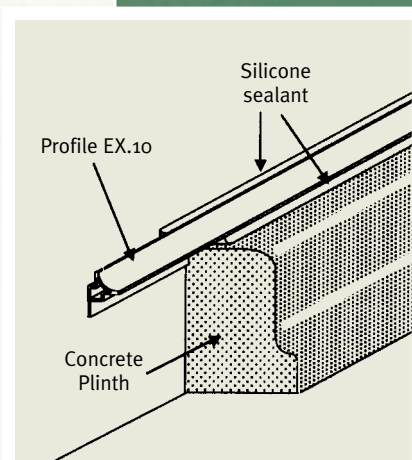
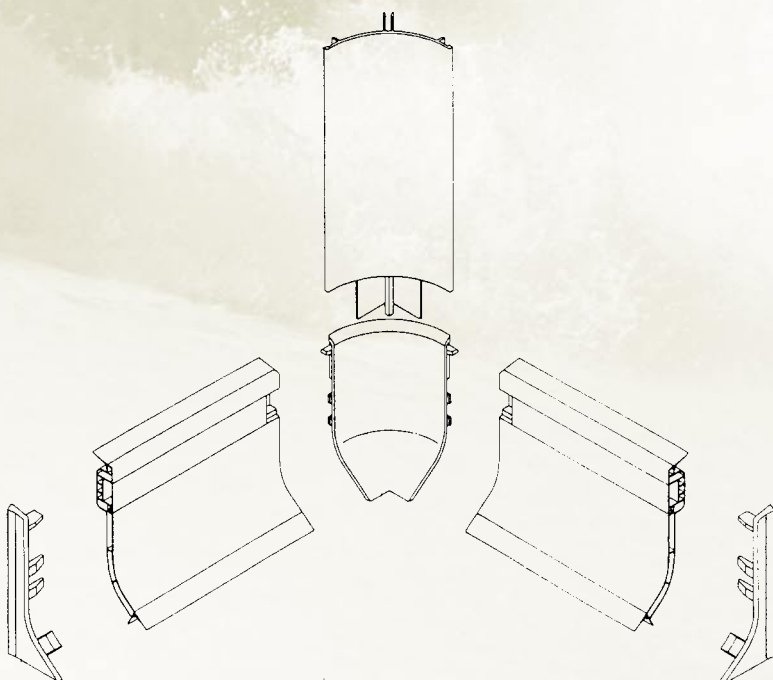


Skirting plinth profile



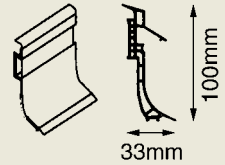
STANDARD COLOURS

The plinth profile EX.15 and accessoires are available in standard colours of: white ral 9002 • white ral 9010 • black
Further colours subject to availability



Skirting / Plinth profile

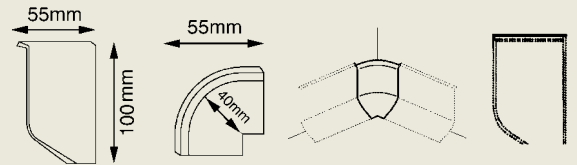
- **EX.15** PVC plinth with soft edges both sides and invisible fixing feature. Packing : 20 lengths of 4 meters in box (= 80 lm per box).



EX.15

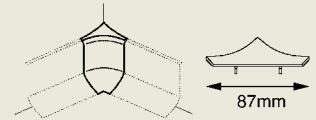
- **INJ.31** Internal corner for plinth EX.15 and EX.80. Packing: by 4 pieces. To be used in combination with a vertical EX.14 coving.

- **INJ.361** Internal corner for plinth EX.15 and EX.80. Packing: by 4 pieces. To be used in combination with a vertical EX.40 coving.



INJ.31

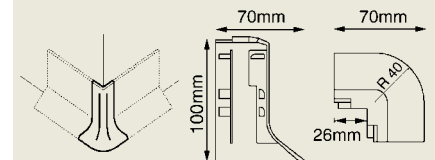
- **INJ.91** Upper piece accessory for INJ.31 to use in combination with INJ.31 in case no vertical coving is installed in the internal corner. Packing: by 4 pieces.



INJ.91

- **INJ.88** External corner for plinth EX.15 and EX.80. Packing: by 4 pieces.

- **INJ.21** End cap for plinth EX.15 and EX.80. Packing by 10 pieces (5 left / 5 right).



INJ.88

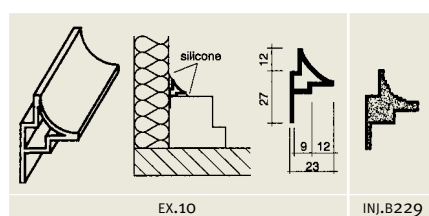
- **EX.10** Connection profile for finishing between concrete plinth and vertical wall. Available in White Ral 9002 and Ral 9010 colours. Offered in 4 metre lengths in boxes of 120 metres (30 lengths) each.

- **INJ.B229** End Cap for **EX.10**. Packing: by 4 pieces.

Flexible PVC corner for the finishing of internal and external angles. Offered in 4 metre lengths.

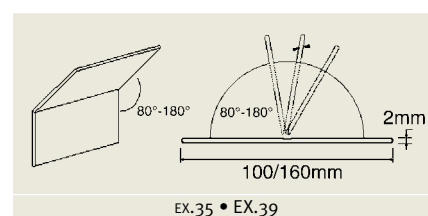
- **EX.39** EX.39 50mm x 50mm flexible corner.

- **EX.35** EX.35 80mm x 80mm flexible corner.



EX.10

INJ.B229



EX.35 • EX.39

Plinth profile single skin

- **EX.80** PVC plinth with soft edges both sides and invisible fixing feature. Packing: 20 lengths of 4 meters in box (= 80 lm per box)

- **INJ.31** Internal corner for plinth EX.15 and EX.80. Packing: by 4 pieces. To be used in combination with a vertical EX.14 coving.

- **INJ.361** Internal corner for plinth EX.15 and EX.80. Packing: by 4 pieces. To be used in combination with a vertical EX.40 coving.

- **INJ.91** Upper piece accessory for INJ.31 to use in combination with INJ.31 in case no vertical coving is installed in the internal corner. Packing: by 4 pieces.

- **INJ.88** External corner for plinth EX.15 and EX.80. Packing: by 4 pieces.

- **INJ.21** End cap for plinth EX.15 and EX.80. Packing by 10 pieces (5 left / 5 right).

- **EX.10** Connection profile for finishing between concrete plinth and vertical wall. Available in White Ral 9002 and Ral 9010 colours. Offered in 4 metre lengths in boxes of 120 metres (30 lengths) each.

- **INJ.B229** End Cap for **EX.10**. Packing: by 4 pieces.

Flexible PVC corner for the finishing of internal and external angles. Offered in 4 metre lengths.

- **EX.39** EX.39 50mm x 50mm flexible corner.

- **EX.35** EX.35 80mm x 80mm flexible corner.

